

PROJECT
 영성교회 어린이집
 비상탈출용 미끄럼틀
 설치공사

KEY PLAN

NOTES

REFERENCE DRAWING
 REF. NO. DWG. NO. DWG. TITLE

REV.	DATE	DESCRIPTION	DWN.	CHK.	APP.
△					
△					
△					
△					

DESIGN CONSULTING

APPROVED BY

CLIENT

DRAWING NAME

설치 평면도

SCALE

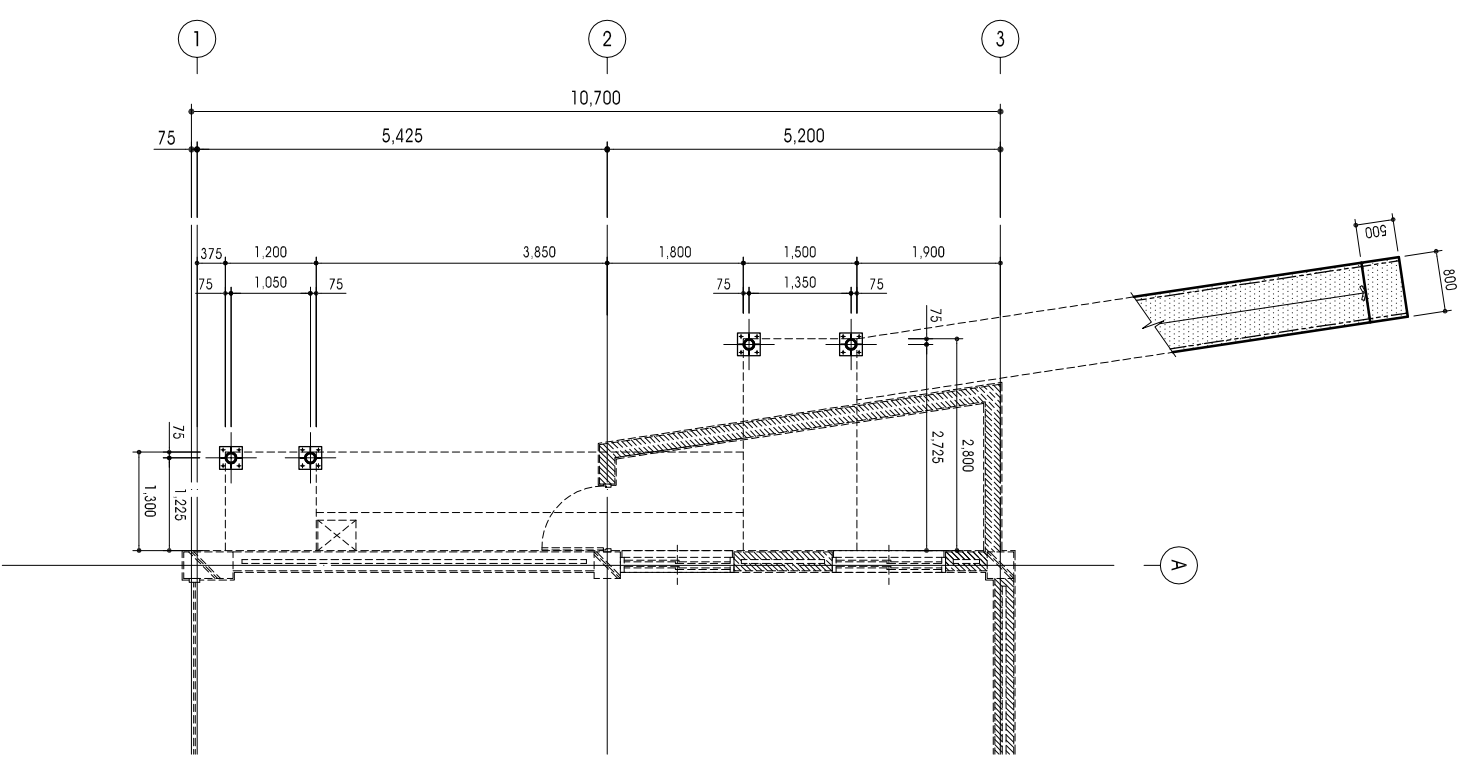
DWN. CHK.

START DATE

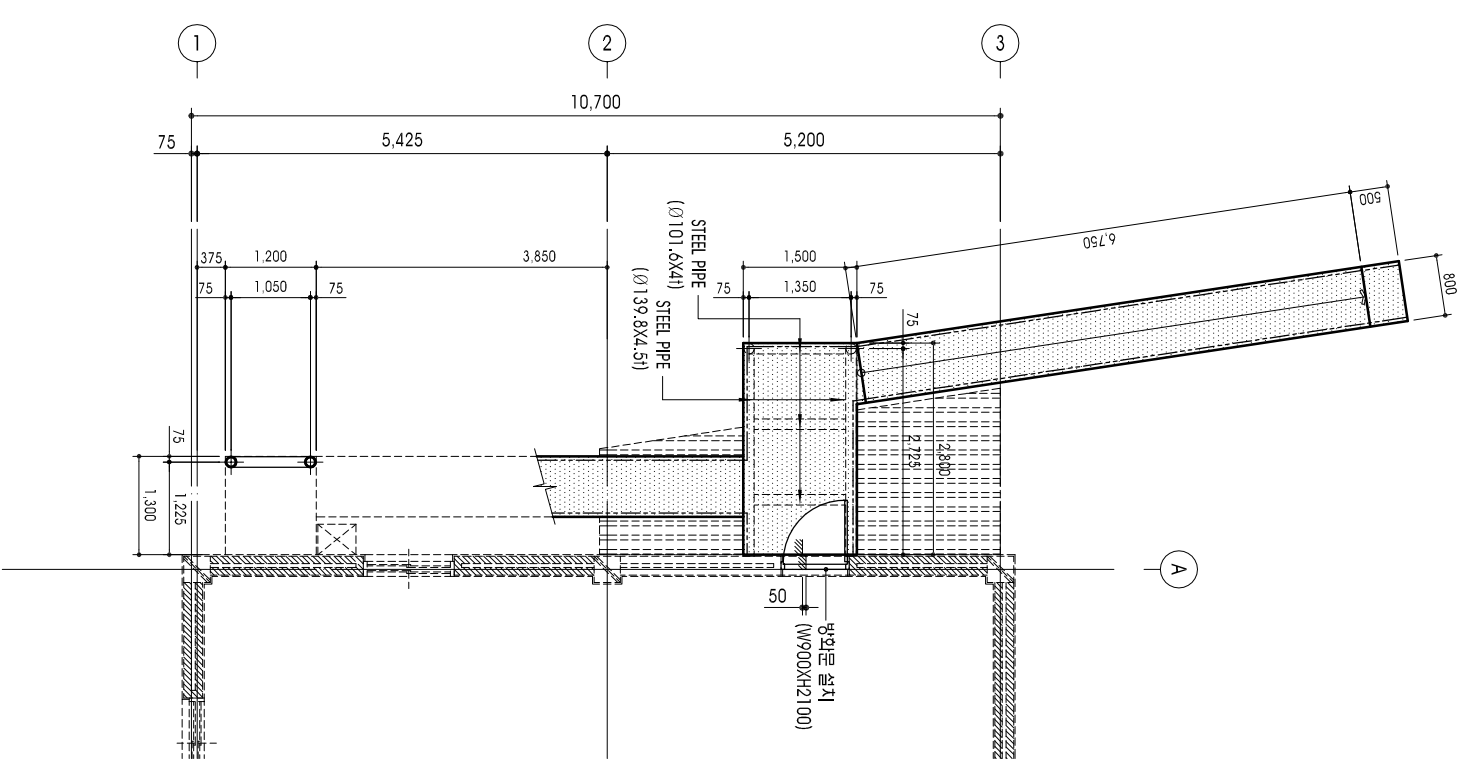
DRAWING NO.

SERIAL NO.

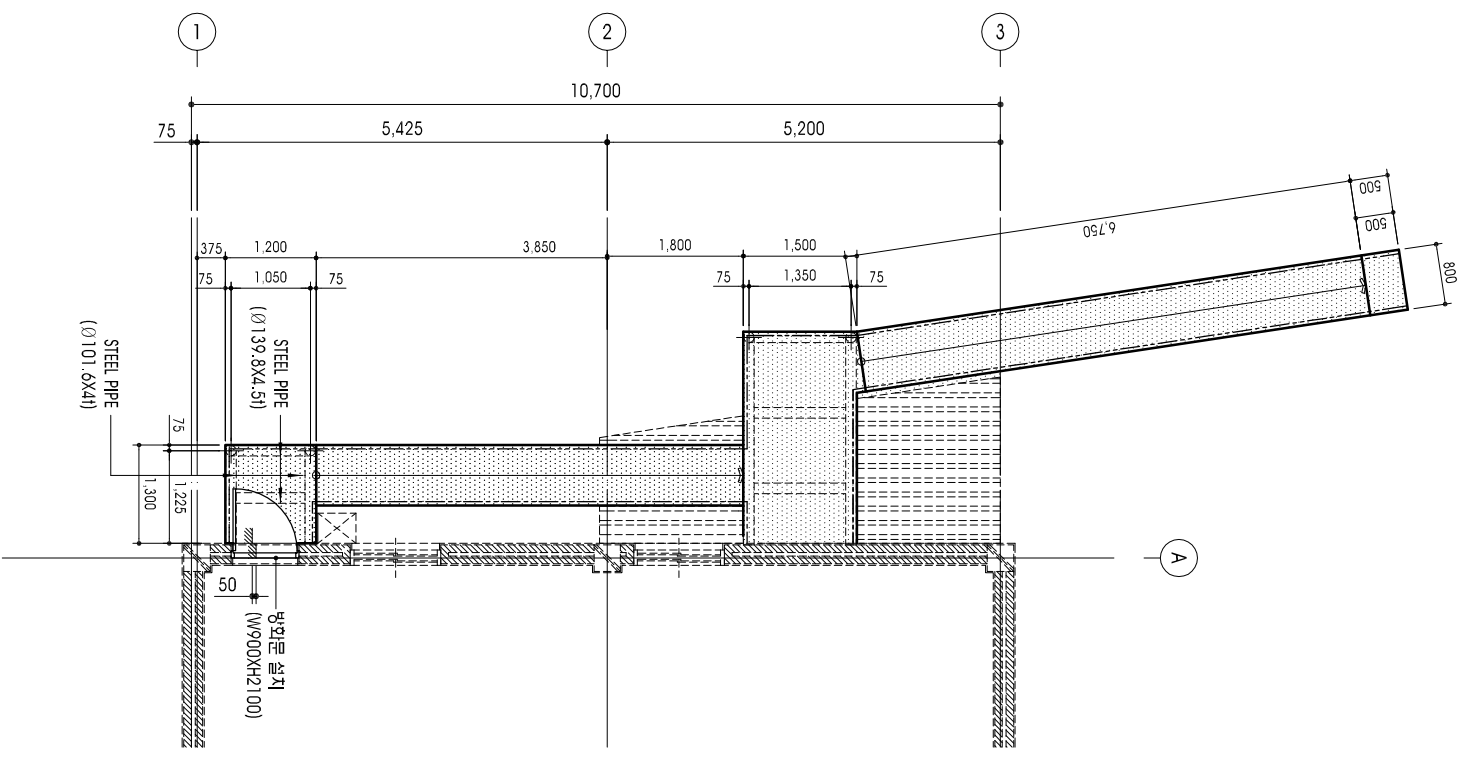
REV.



01 1층 평면도
 SCALE: 1/100



02 2층 평면도
 SCALE: 1/100



03 3층 평면도
 SCALE: 1/100

1 2 3 4 5 6 7 8 9

PROJECT
영성교회 어린이집
비상탈출용 미끄럼틀
설치공사

KEY PLAN

NOTES

REFERENCE DRAWING
REF. NO. DWG. NO. DWG. TITLE

DESIGN CONSULTING

APPROVED BY

CLIENT

DRAWING NAME

설치 입면도

SCALE

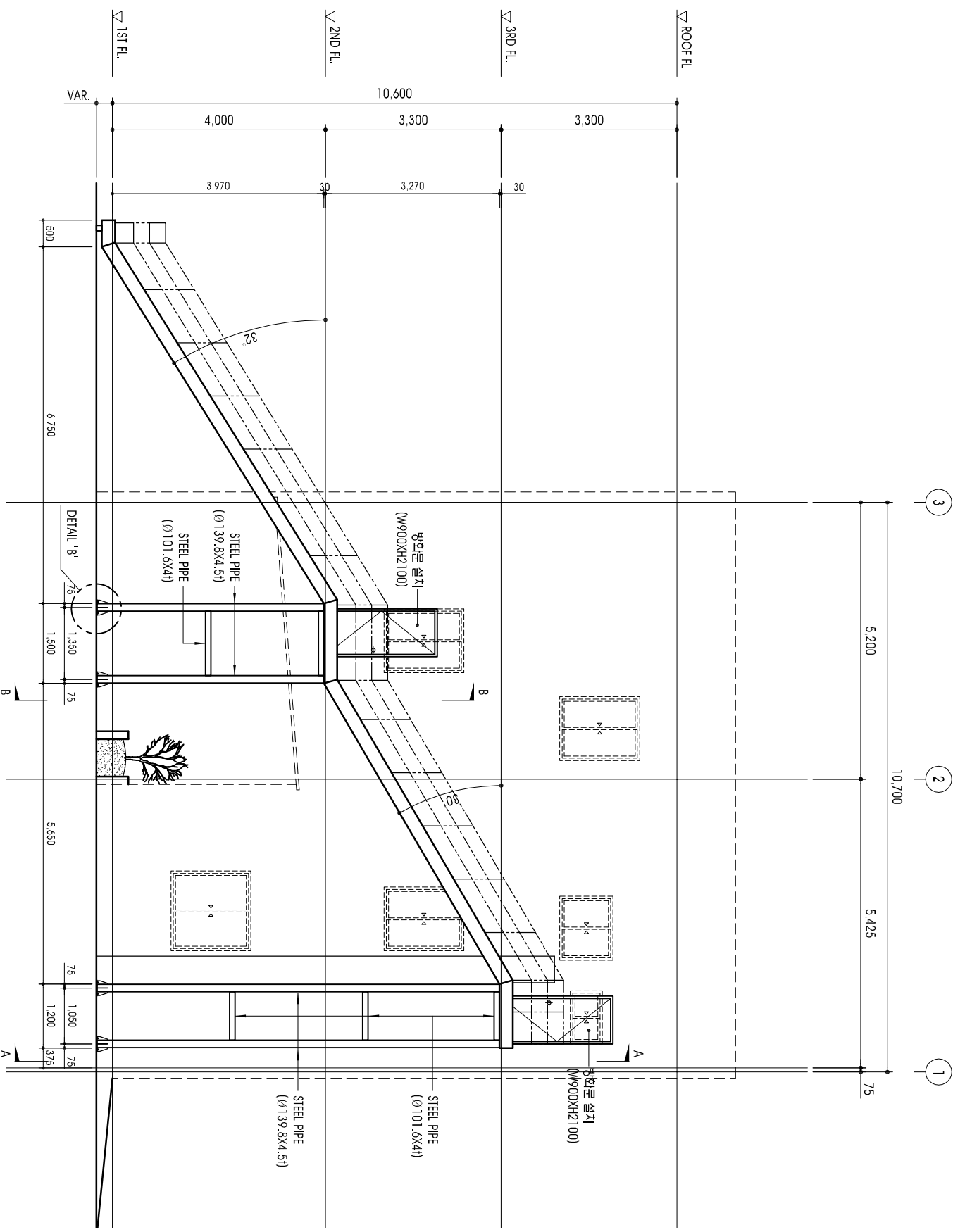
DWN. CHK.

START DATE

DRAWING NO.

SERIAL NO.

REV.



01 좌측면도

SCALE : 1 / 100



1 2 3 4 5 6 7 8 9

PROJECT
영성교회 어린이집
비상탈출용 미끄럼틀
설치공사

KEY PLAN

NOTES

REFERENCE DRAWING
REF. NO. DWG. NO. DWG. TITLE

REV.	DATE	DESCRIPTION	DWN.	CHK.	APP.
△					
△					
△					

DESIGN CONSULTING

APPROVED BY

CLIENT

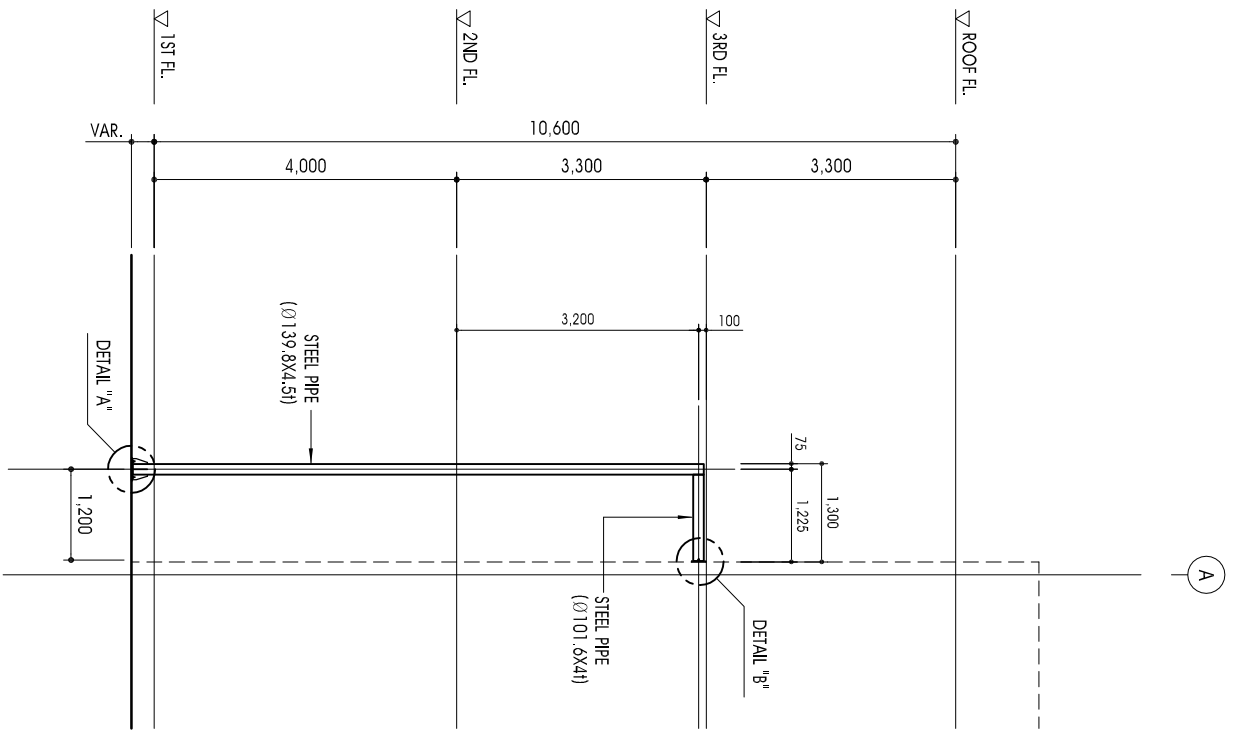
DRAWING NAME
설치 입면도

SCALE
DWN. CHK.

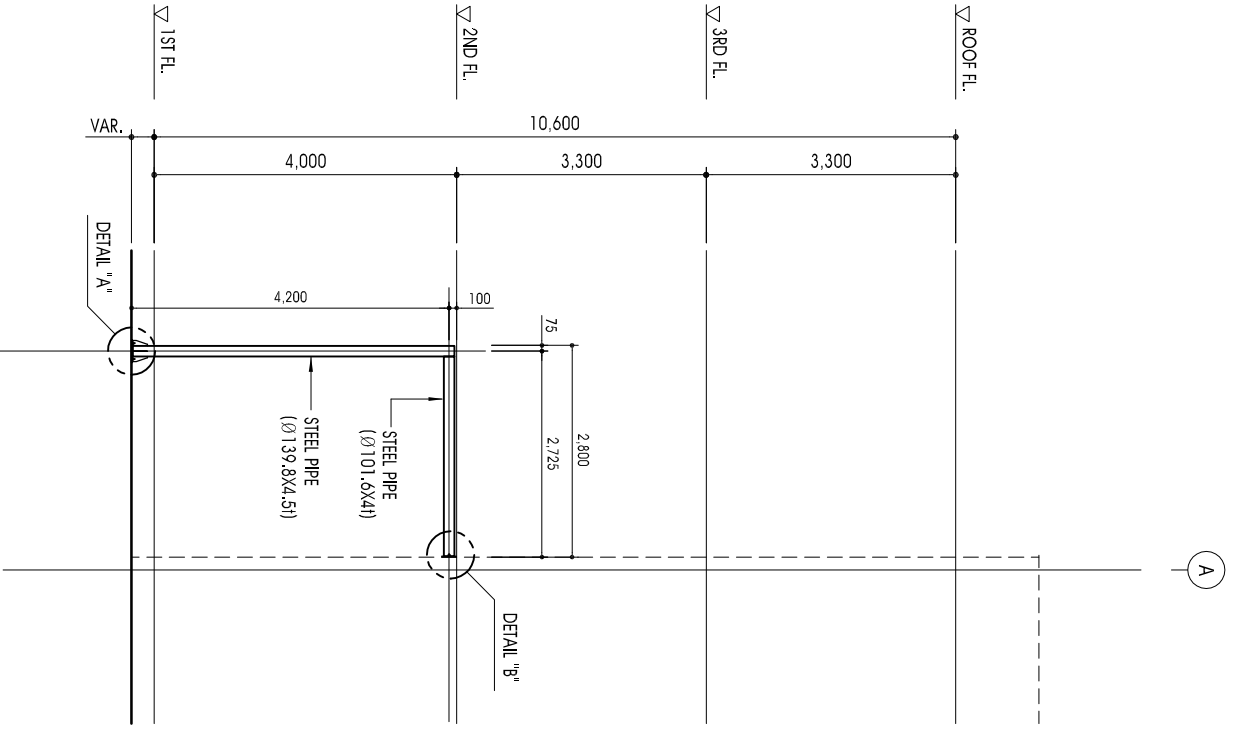
START DATE

DRAWING NO.

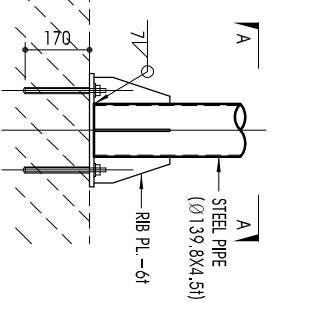
SERIAL NO.



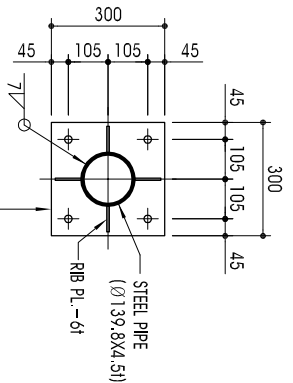
"A 부분" 확대 입면도
SCALE : 1 / 100



"A 부분" 확대 입면도
SCALE : 1 / 100



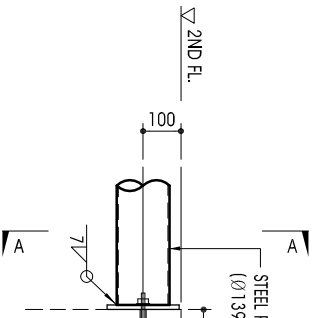
SECTION



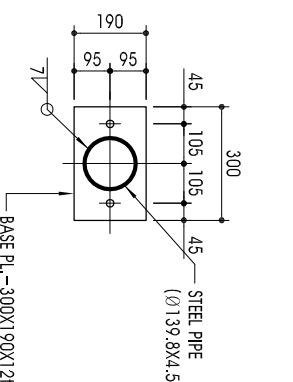
ELEVATION

BASE PL.-300X300X12
W/4-φ25 ANG. BOLT HOLES
FOR M20 CHEMICAL ANCHOR
(HILTI HIT HY-150 HAS 볼트사용주입식점착앵커)

DETAIL "A" SCALE : 1/20



SECTION



ELEVATION

BASE PL.-300X190X12
W/2-φ25 ANG. BOLT HOLES
FOR M20 CHEMICAL ANCHOR
(HILTI HIT HY-150 HAS 볼트사용주입식점착앵커)

DETAIL "B" SCALE : 1/20